

ELECTRONIC CRANE SCALES

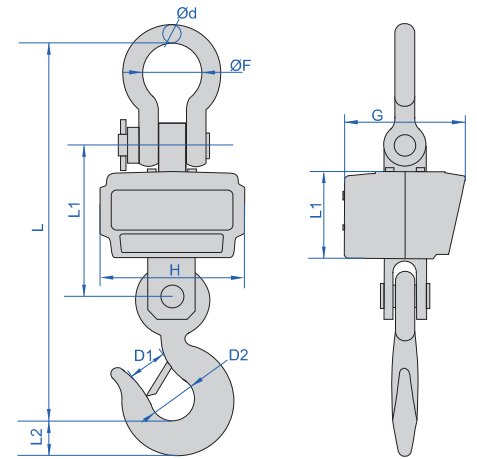
- Aluminum alloy die casting case with high strength
- Zero-setting, weighing, subtracting tare value
- Remote control
- Overload alarm
- Automatic power off
- Unit: lb, kg



8204-CS3T



remote controller
(included)



Unit: mm

SPECIFICATION

Operation temperature	-10~40°C
Operation humidity	≤85%RH
Overload alarm	100%FS+9d
Maximum safe load	150%FS
Limited overload	400%FS
Power supply	rechargeable lead acid battery (6V/4Ah)

Code	B	G	H	L	L1	L2	D1	ØD2	Ød	ØF
8204-CS06T	120	163	198	420	190	33	40	47	21	76
8204-CS1T	120	163	198	420	190	33	40	47	21	76
8204-CS2T	120	163	198	420	190	33	50	47	21	76
8204-CS3T	120	163	198	462	196	40	50	50	23	76
8204-CS5T	120	163	198	511	204	47	52	60	26	80
8204-CS10T	135	181	206	589	239	66	52	70	36	90
8204-CS15T	135	181	206	727	257	77	60	85	47	135

Code	Weighing capacity	Minimal load	Readability (d)	Selectable resolution	Repeatability	Linearity	Stabilization time
8204-CS06T	600kg	5kg	0.2kg	0.1kg	±0.2kg	±0.4kg	10s
8204-CS1T	1000kg	10kg	0.5kg	0.2kg	±0.5kg	±1kg	
8204-CS2T	2000kg	20kg	1kg	0.5kg	±1kg	±2kg	
8204-CS3T	3000kg	30kg	1kg	0.5kg	±1kg	±1kg	
8204-CS5T	5000kg	50kg	2kg	1kg	±2kg	±4kg	
8204-CS10T	10000kg	100kg	5kg	2kg	±5kg	±10kg	
8204-CS15T	15000kg	100kg	5kg	2kg	±5kg	±10kg	



large display (optional)



handheld display (optional)

STANDARD DELIVERY

Main unit	1 pc
Remote controller	1 pc

OPTIONAL ACCESSORY

Handheld display	8204-INDICATOR (must be supplied with scales together)
Large display	8204-SCREEN (must be supplied with scales together)